



PUMPS AUSTRALIA

BETTER • FASTER • EASIER



JET PRESSURE PUMP

TECHNICAL DATA

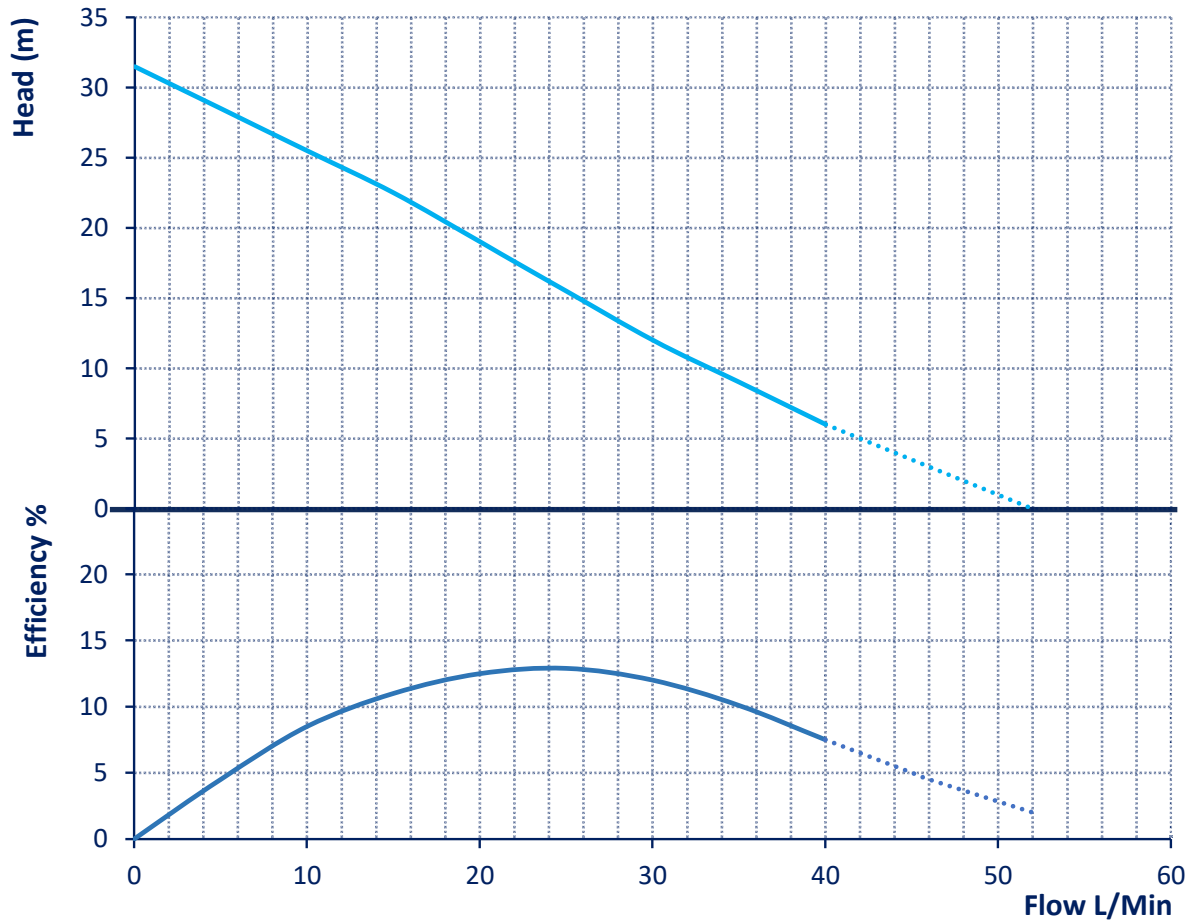
MODEL: PRJ55E
CODE: 20555

MAX HEAD 31.5M
MAX FLOW 52L/Min
MOTOR POWER 500W
DISCHARGE SIZE 25MM, 1"



CHARACTERISTIC CURVE & PERFORMANCE DATA

JET PRESSURE PUMP PRJ55E



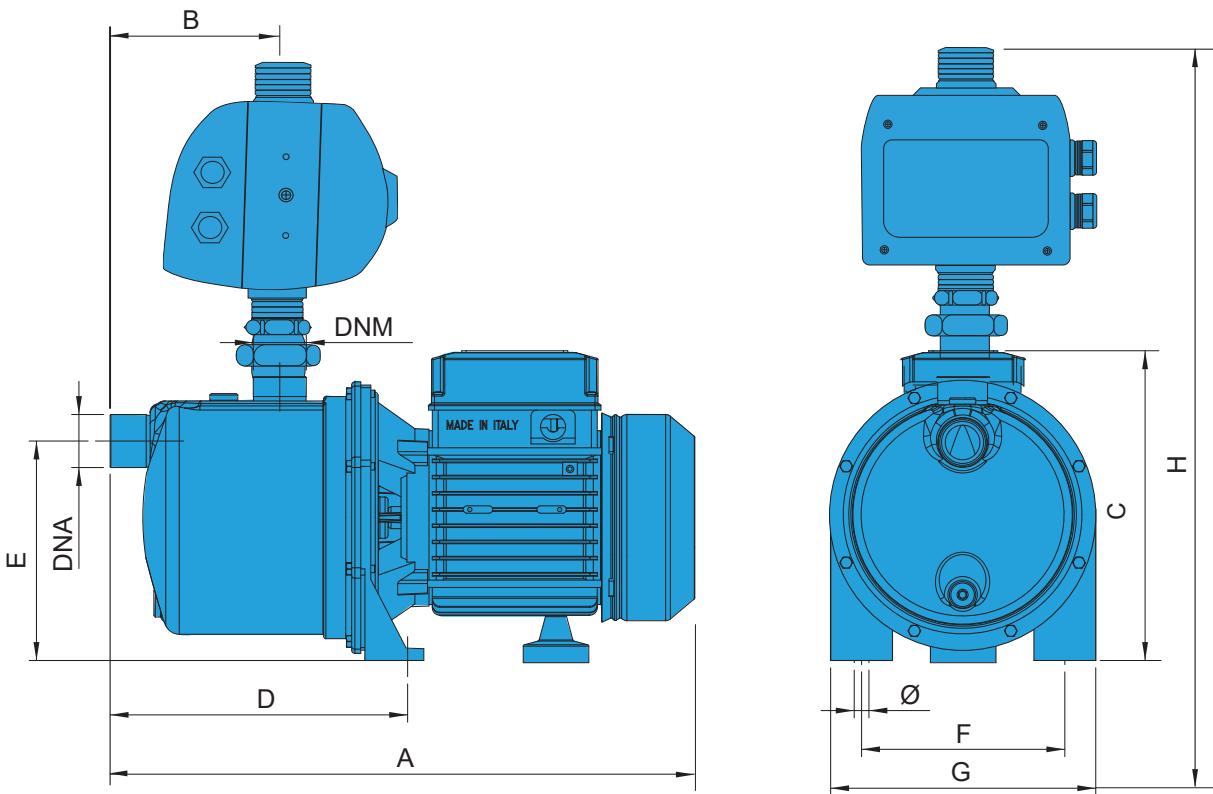
| TYPE | Nominal Power (P2) | | Input Power (P1) | Capacitor | Input Current |
|--------------|--------------------|-----|------------------|-----------|---------------|
| | W | HP | | | |
| Single Phase | | | Watt | µF | 240V |
| PRJ55E | 370 | 0.7 | 510 | 10 | 2.2A |

| L/MIN | 0 | 10 | 20 | 30 | 40 | 50 |
|----------------------------|-------|-------|-------|-------|-------|-------|
| HEAD (M) | 31.5 | 25.5 | 19 | 12 | 6 | 1 |
| EFFICIENCY% | 0 | 8.5 | 12.5 | 12 | 7.5 | 3 |
| SHAFT POWER P2 (KW) | 0.296 | 0.304 | 0.308 | 0.306 | 0.299 | 0.294 |

NOTE: Efficiency Percentage (%) refers to the percentage of power consumed by the motor during operation. This calculation is taken from the P1 Power.

Ascento Group reserves the right to make changes without prior notice

DIMENSIONS & WEIGHT



JET PRESSURE PUMP PRJ55E

| MODEL | DIMENSIONS (MM) | | | | | | | | | | PACKING (MM) | | | WEIGHT (KG) | |
|--------|-----------------|----|-----|-----|-----|-----|-----|-----|----|-----|--------------|-----|-----|-------------|-----|
| | A | B | C | D | E | F | G | H | Ø | DNA | DNM | L | W | | H |
| PRJ55E | 320 | 70 | 200 | 160 | 135 | 130 | 180 | 350 | 10 | 1" | 1" | 250 | 190 | 350 | 5.2 |

Ascento Group reserves the right to make changes without prior notice